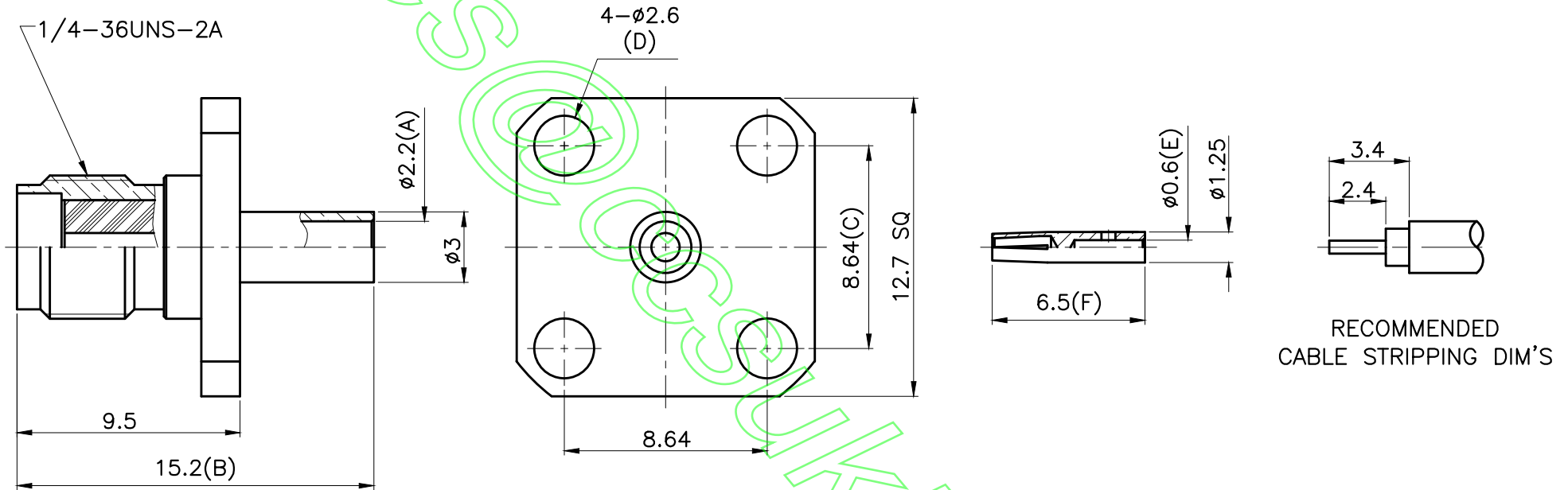


REVISIONS	
ISS	DESCRIPTION\DATE

RoHS COMPLIANT



CONNECTORS CABLES



SPECIALISTS LTD.

TITLE: SMA FEMALE PANEL MOUNT  
(FOR RG405, .085")

PART NO: . SMAPAJ085DS4H

DRAWING NO:

APRD:	UNLESS OTHERWISE SPECIFIED TOLERANCES 0.5-6 = ±0.2 >6-30 = ±0.4 >30-120 = ±0.6 >120-315 = ±1 >315-1000 = ±1.6 ANGLES = ±5°			
CHKD:				
DR:				
DATE: 08/12/15"	UNIT: mm	CONTACT PIN	PHOSPHOR BRONZE	GOLD
SHEET: .	SCALE: 4/1	INSULATOR	TEFLON	WHITE
		BODY	BRASS	GOLD
		NO. DESCRIPTION	MATERIAL	FINISH